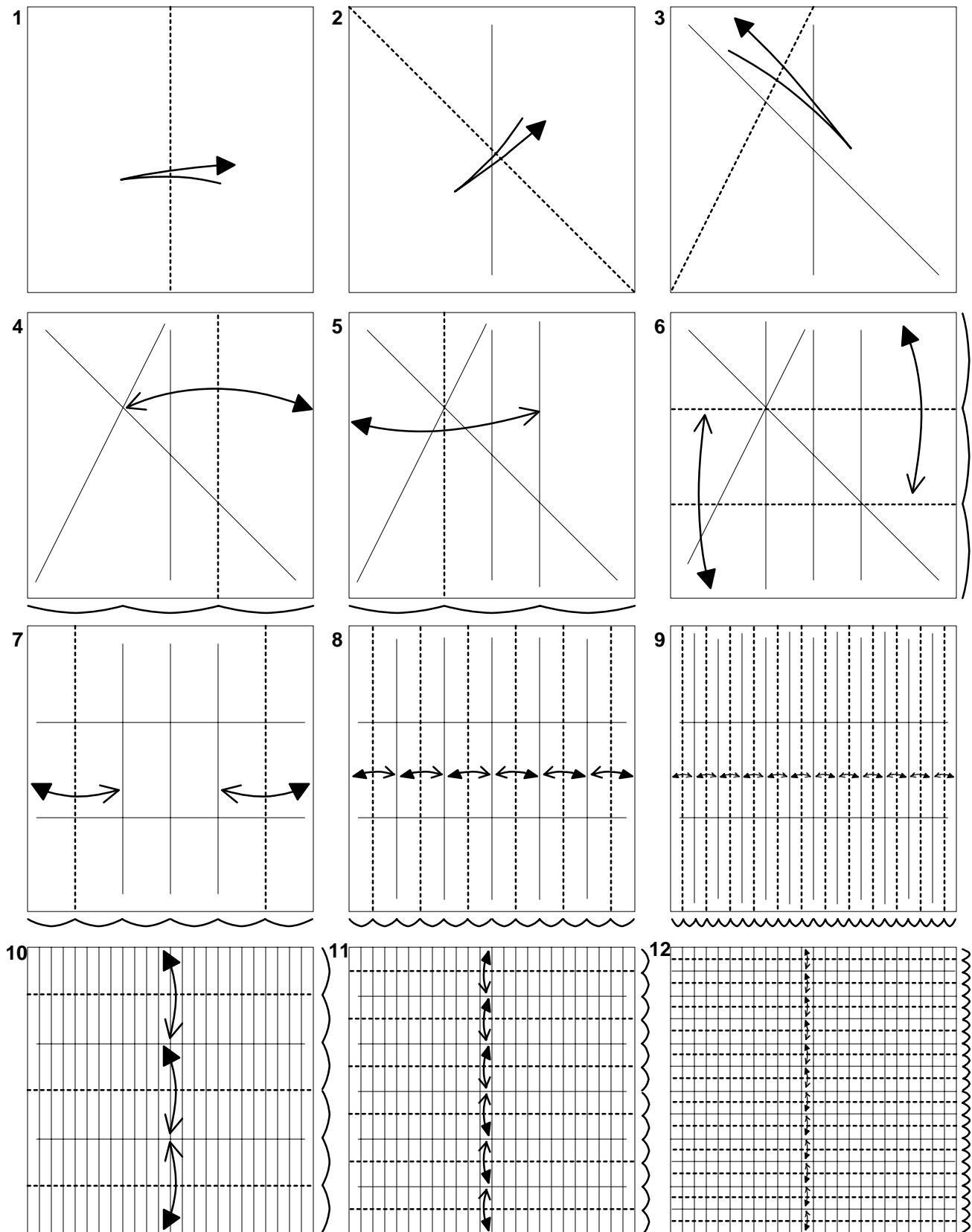
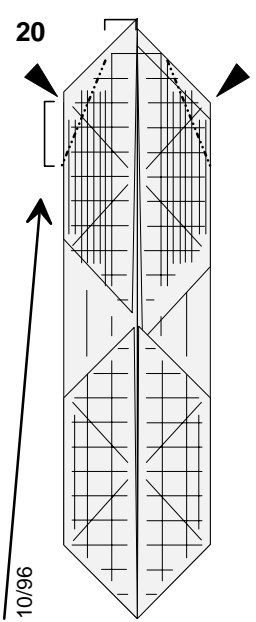
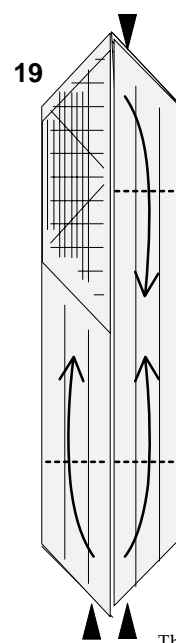
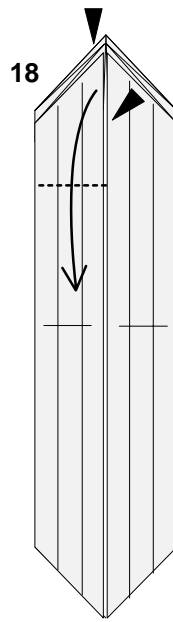
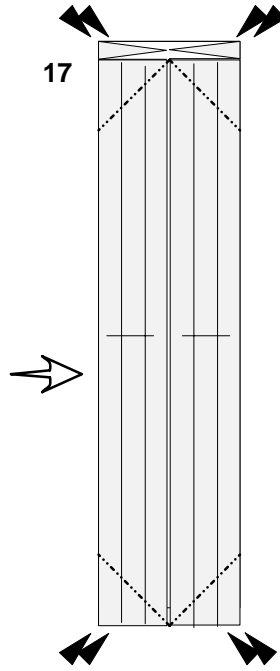
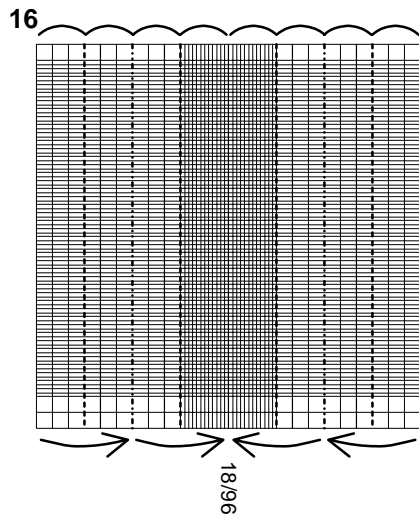
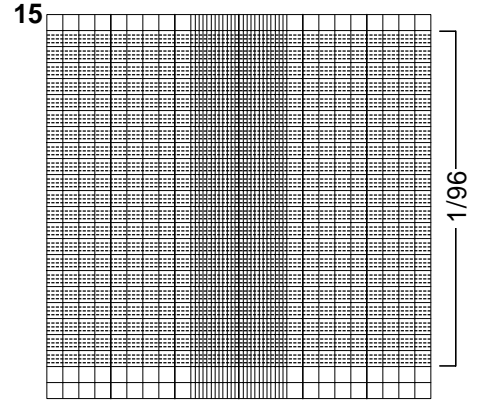
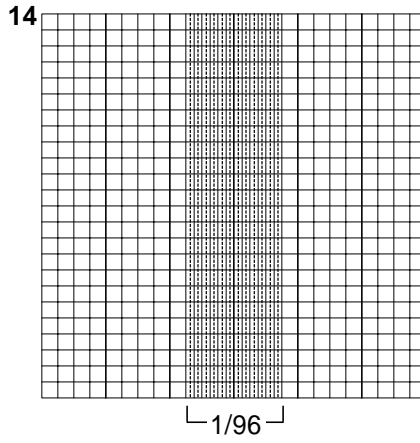
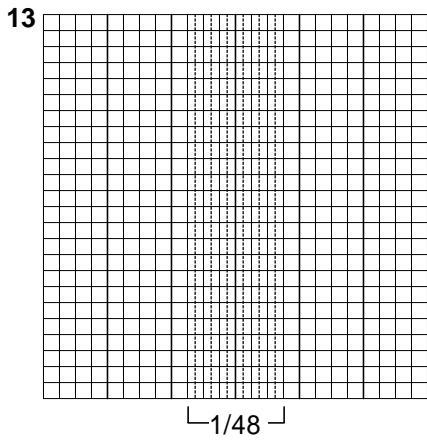


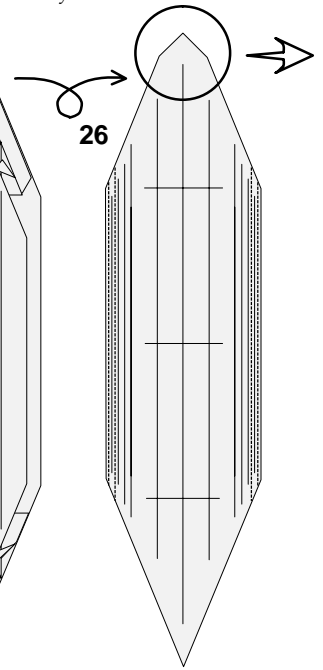
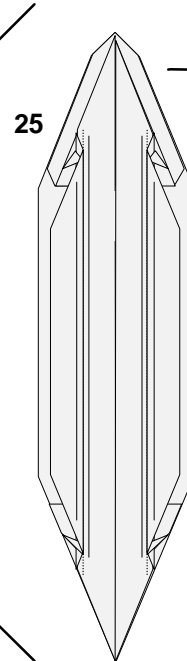
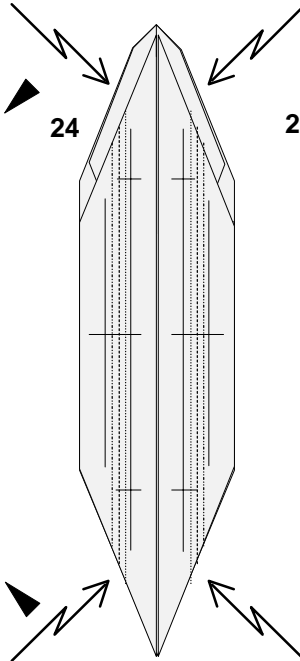
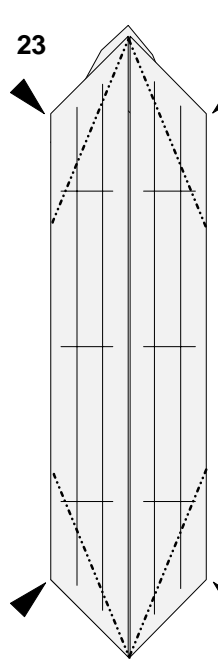
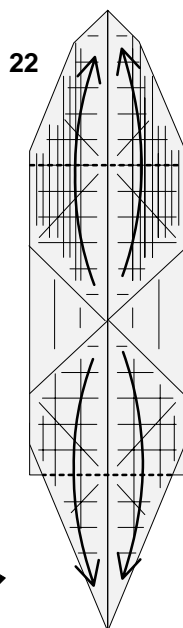
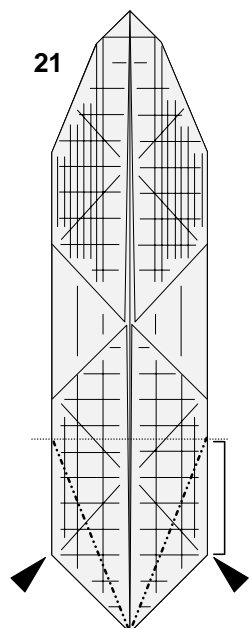
Ankylosaurus by Ronald Koh (Singapore)

Complex This is a deceptively difficult model, watch the diagrams carefully! Fold from a large sheet (at least 20") of Japanese foil. The model can also be wet folded with good results. A 20" sheet of foil can be easily created by carefully taping four 10" sheets together. This doesn't "count" as taping because you are still working from a square.



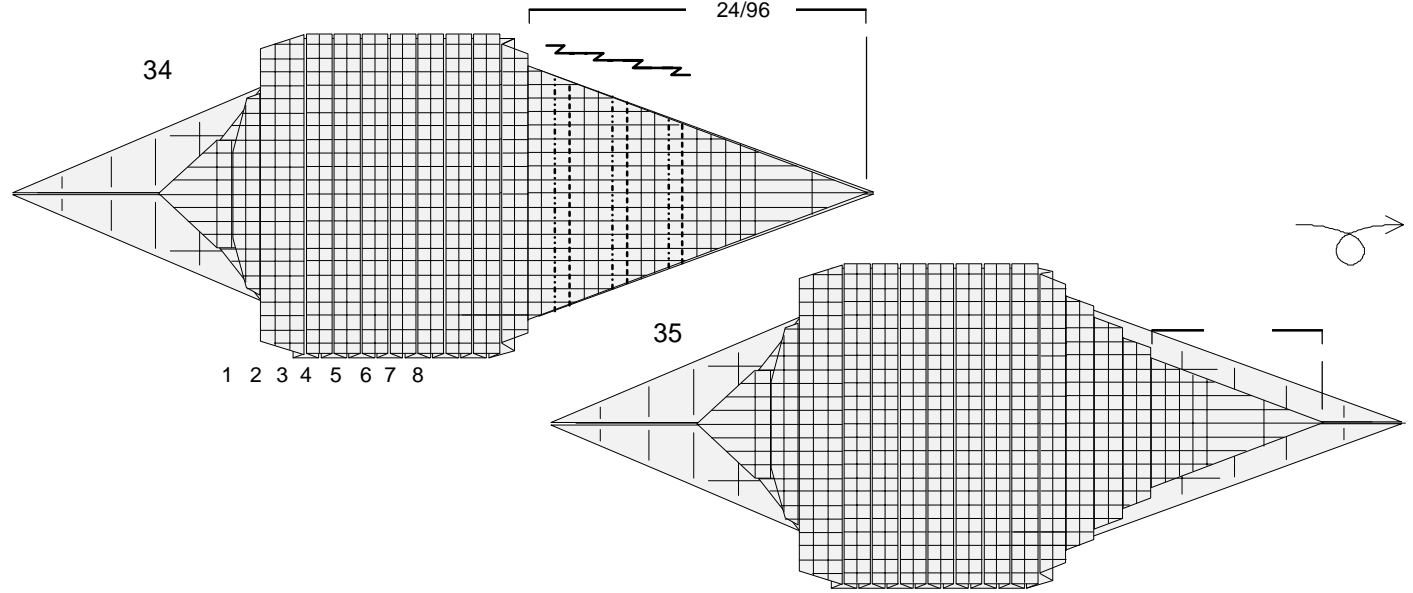
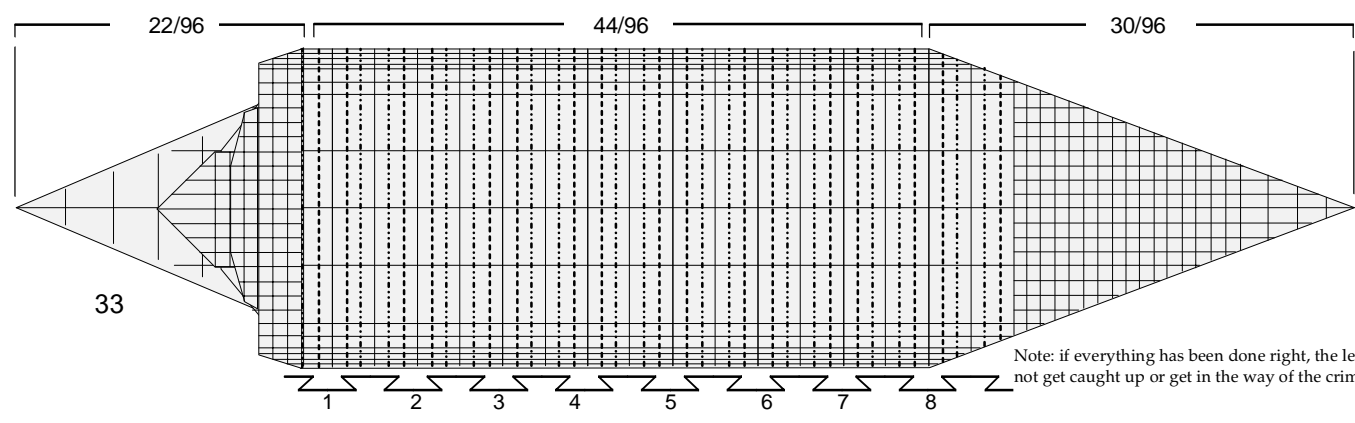
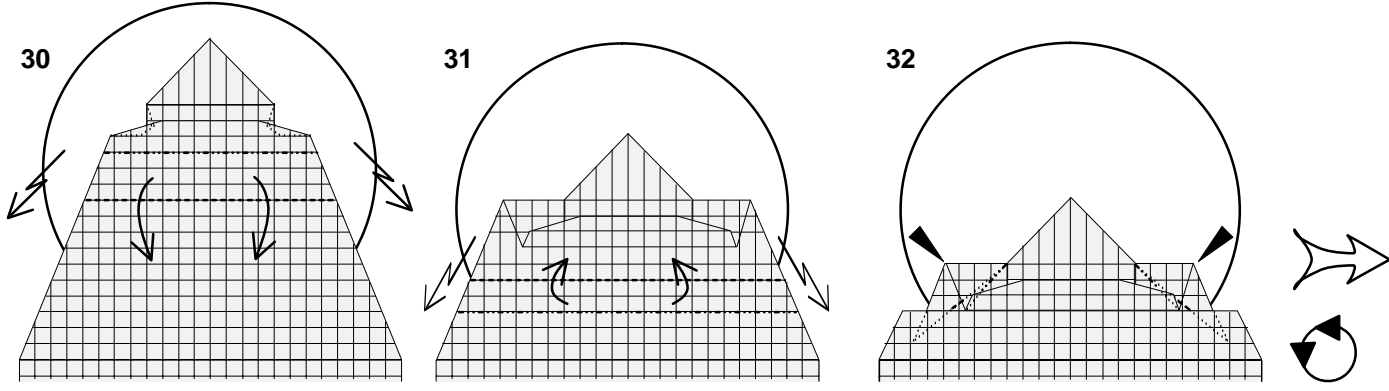
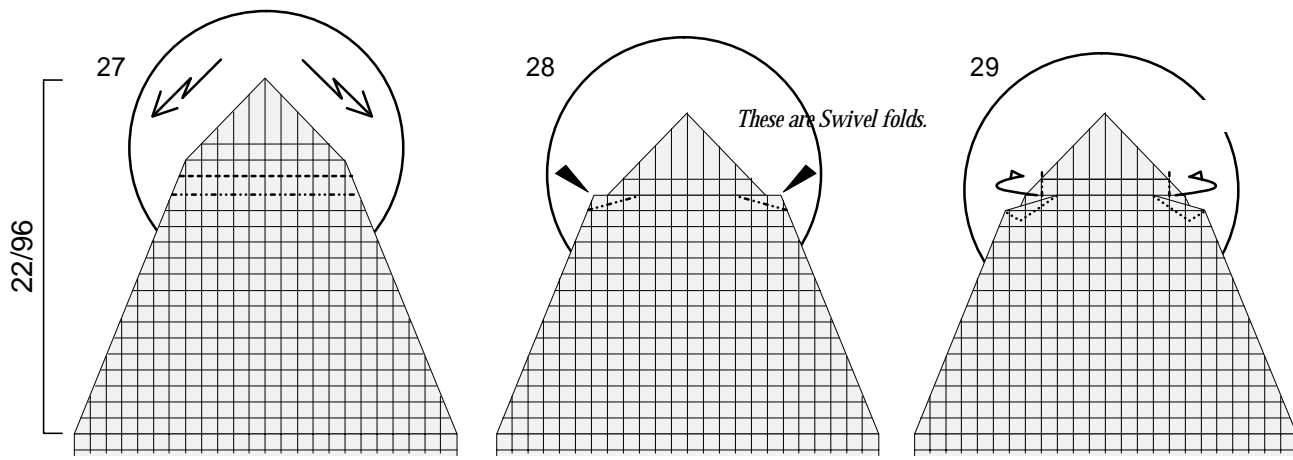


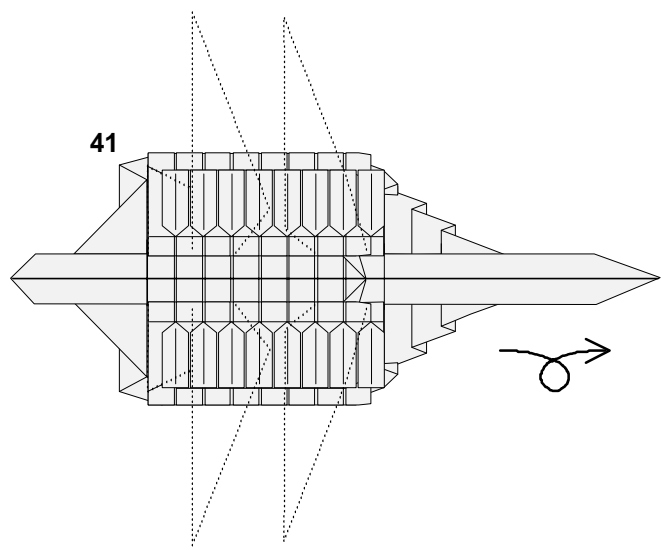
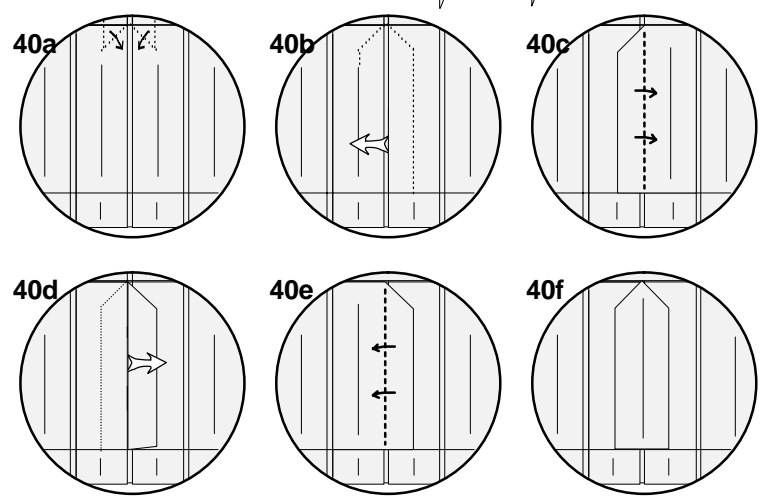
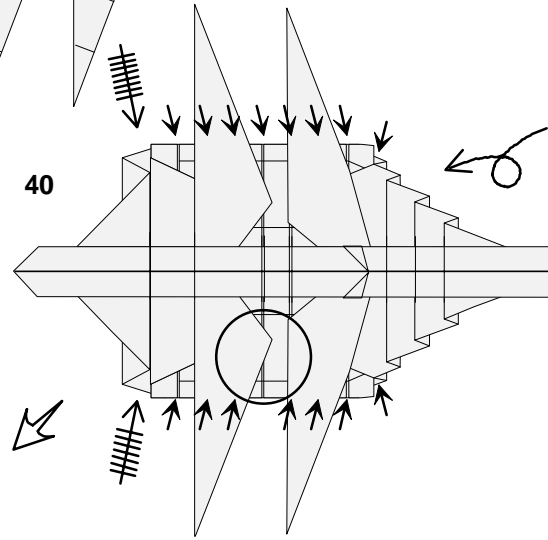
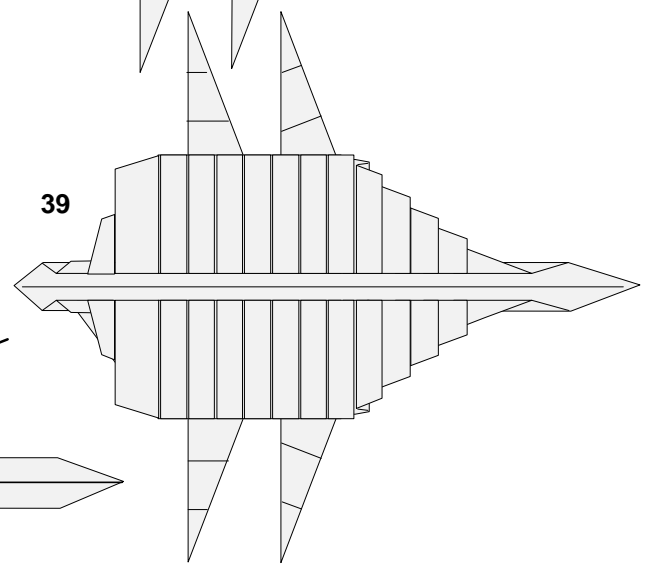
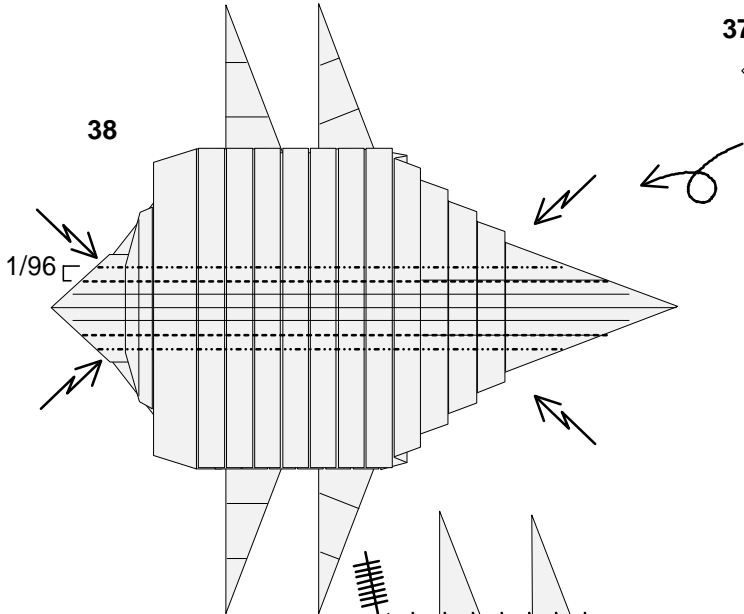
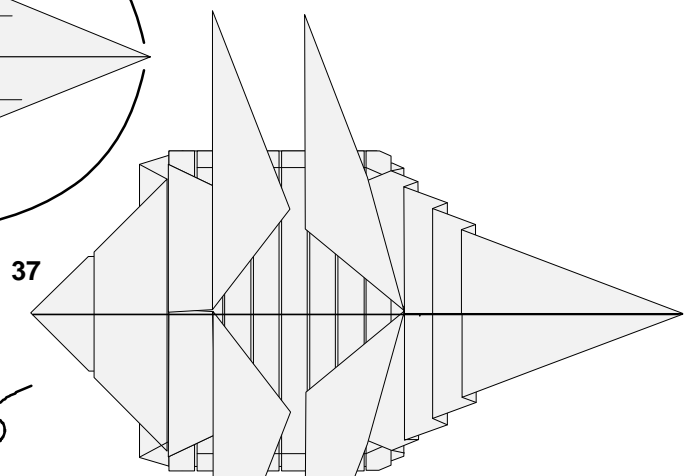
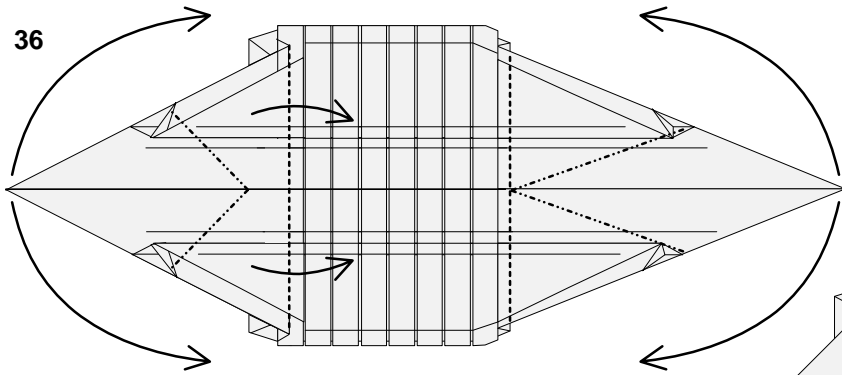
These distances are extremely important, 5 & 22 blocks each. Check the other side to verify landmarks.

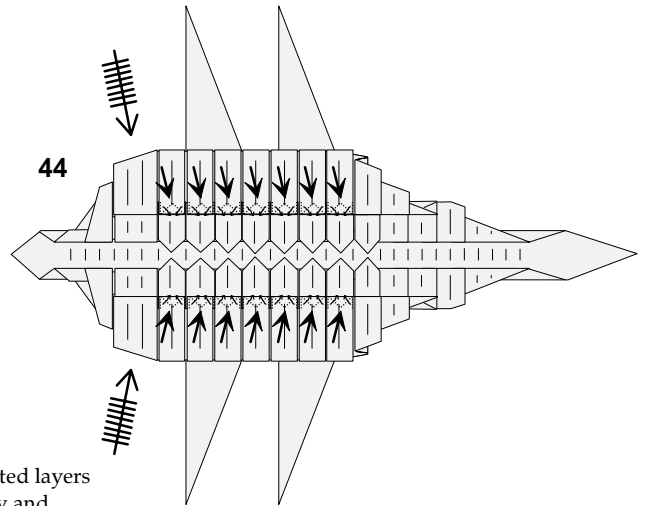
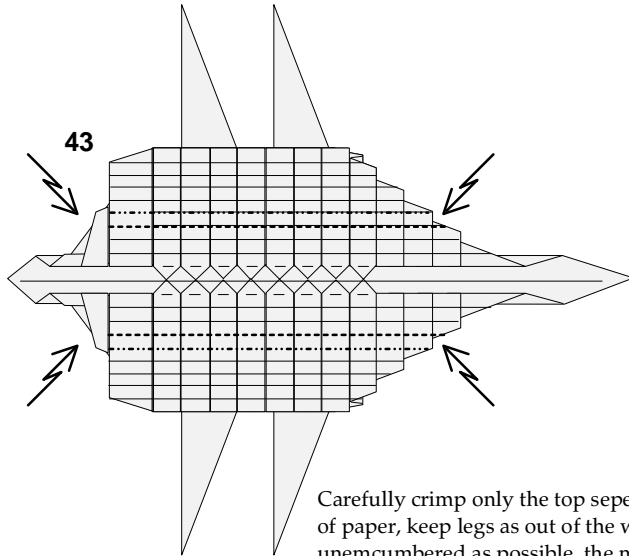
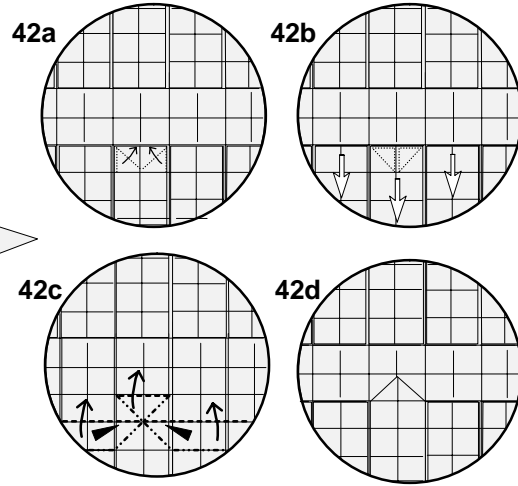
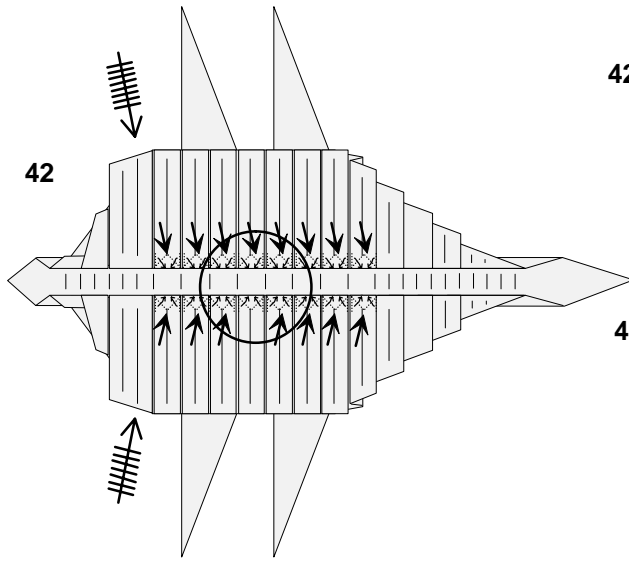


Crimp @ 1/96, causes a spreadsquash. Use the underlying layers to show where to fold.

Crease 1/192 through two outer 1/96ths.



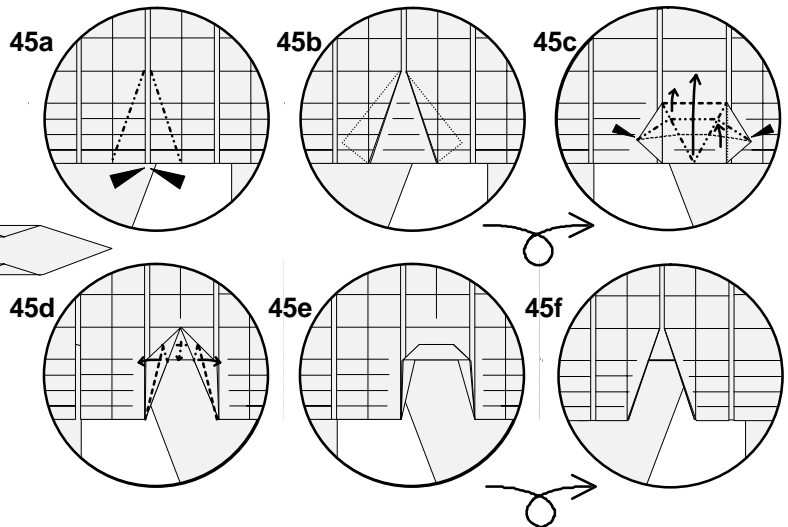
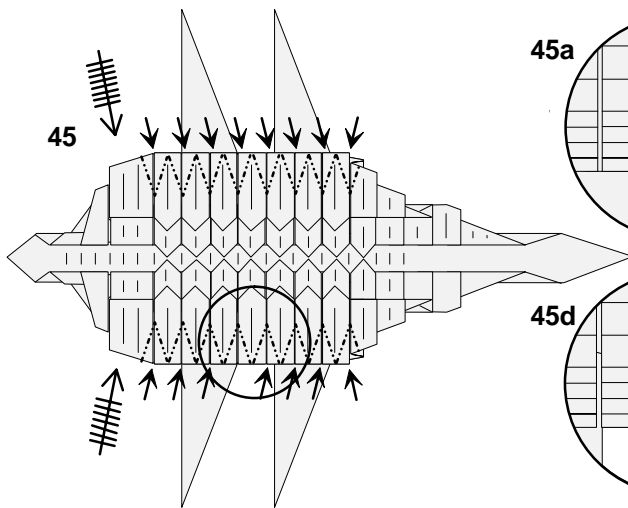


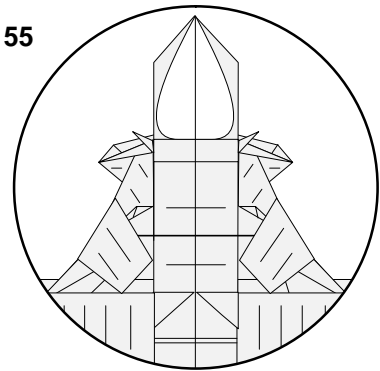
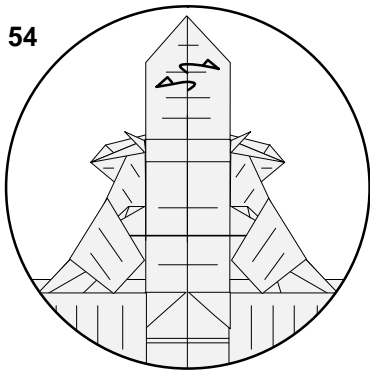
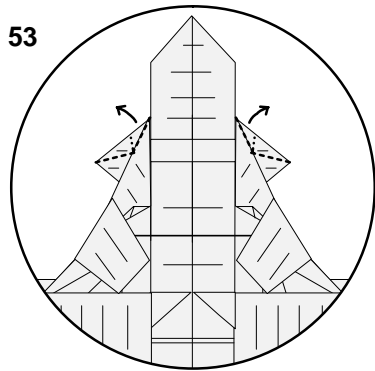
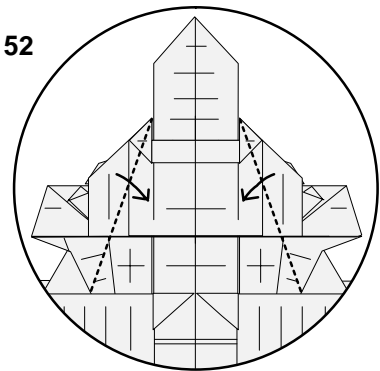
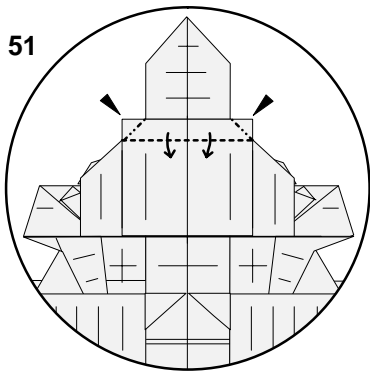
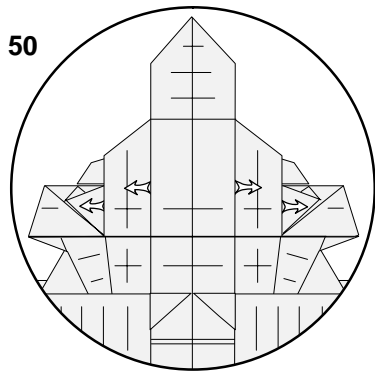
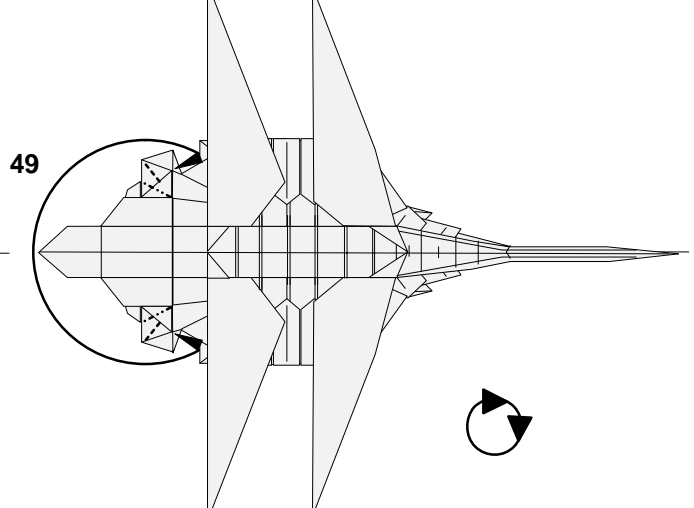
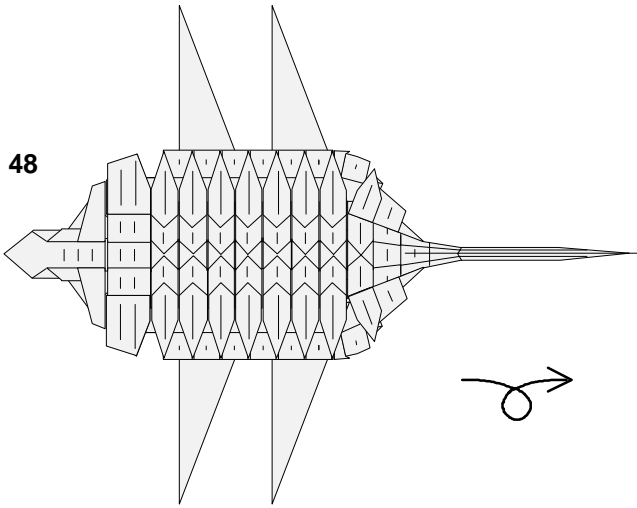
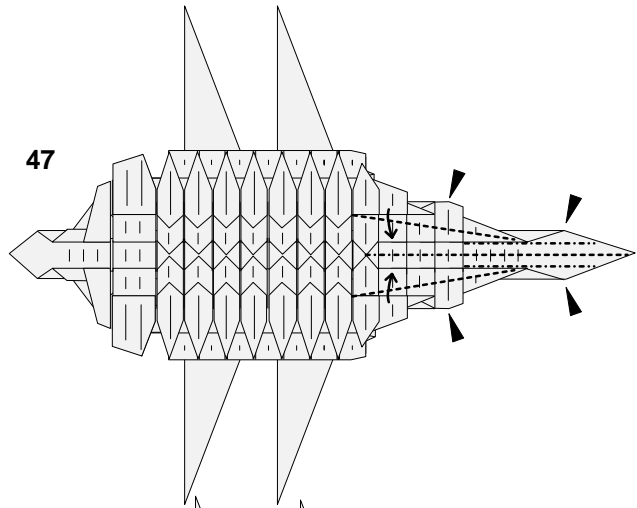
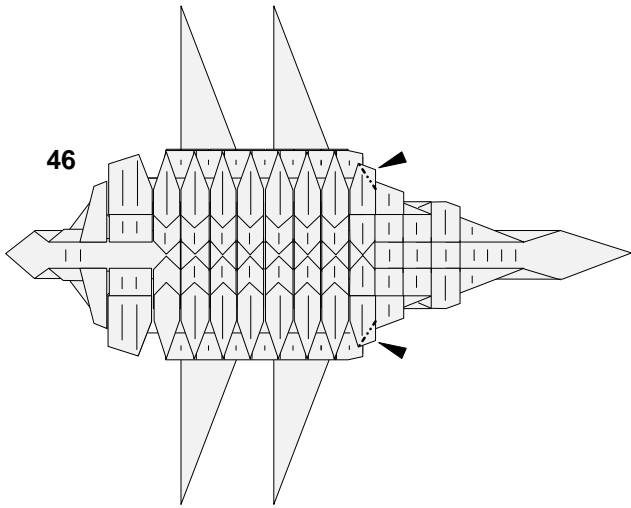


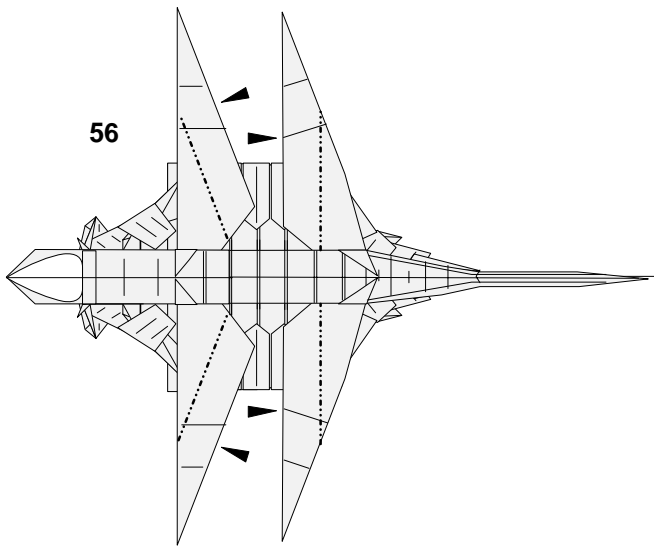
Carefully crimp only the top separated layers of paper, keep legs as out of the way and unencumbered as possible, the model will be thinner that way. Do not crimp the head, make adjustments as necessary.

Repeat steps 40a through 40f seven time s on each side on the new crimp.

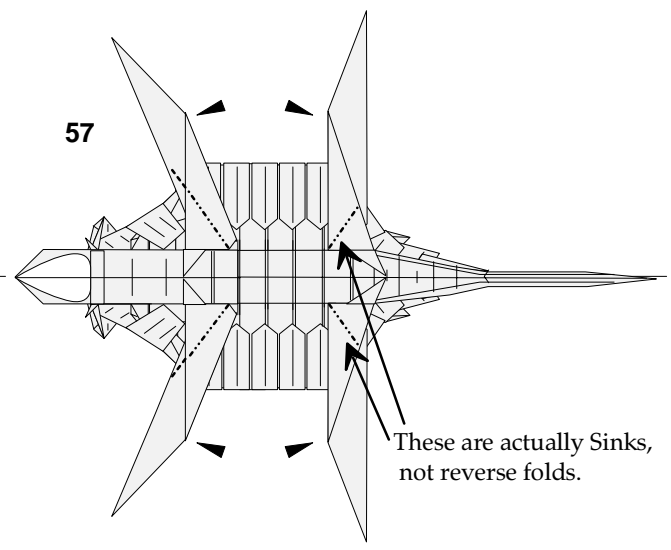
This is easier than it looks! Do the crimp first, & then petal fold. Be careful that the points at the bottom (on the other side) stay sharp and do not move.





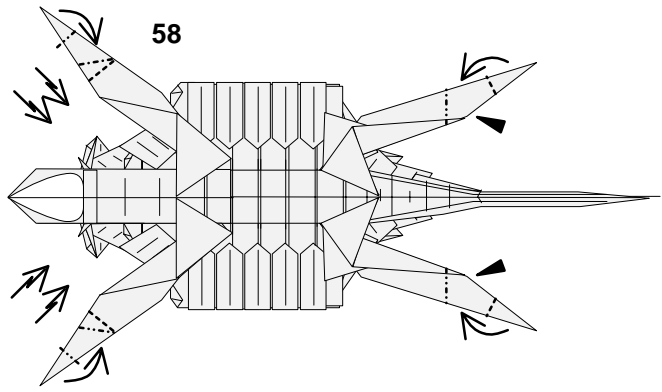


56

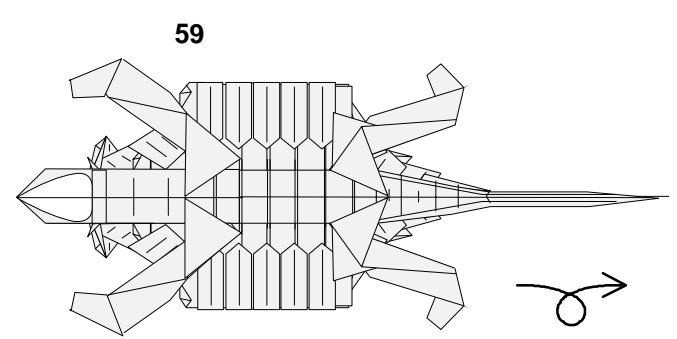


57

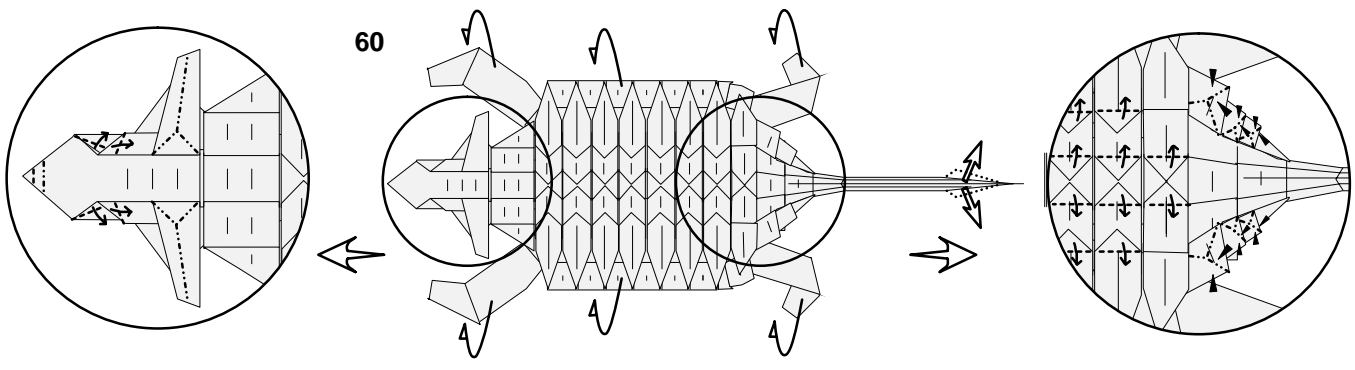
These are actually Sinks, not reverse folds.



58



59



60

